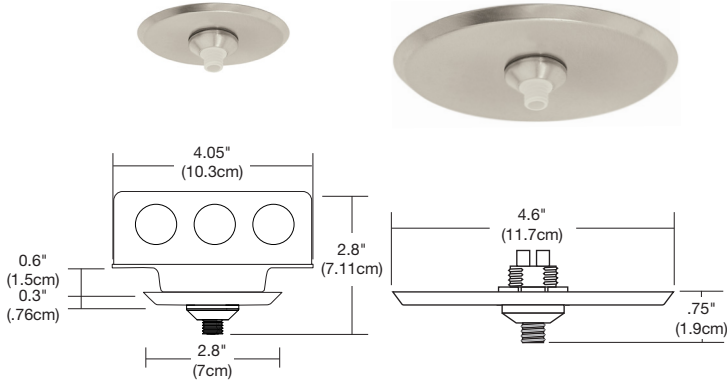


2" AND 4" FAST JACK CANOPIES

12VAC REMOTE POWER CANOPIES (POWER SUPPLIES SOLD SEPARATELY)

DESIGNED BY GREGORY KAY

REV 10.28.21



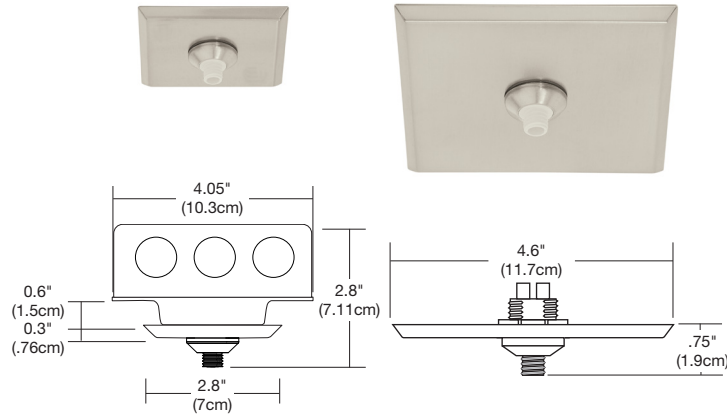
2" & 4" ROUND FAST JACK CANOPY

The 2" & 4" LED Round Fast Jack Canopies mount to a standard 4" electrical box. Remote Power supplies sold separately.

FINISHES



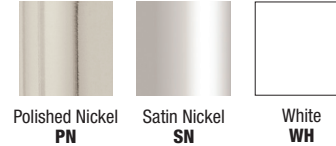
System	Canopy	Finish
FJC	2RD	SN
FJC Fast Jack Power Feed	2RD 2.8" Round 4RD 4.6" Round	SN Satin Nickel WH White



2" & 4" SQUARE FAST JACK CANOPY

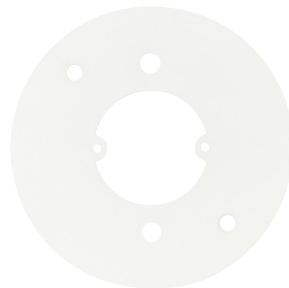
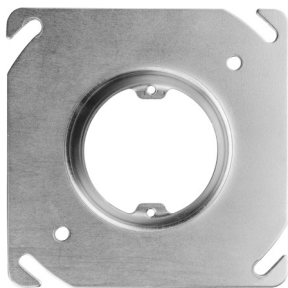
The 2" & 4" LED Square Fast Jack Canopies mount to a standard 4" electrical box. Remote Power supplies sold separately.

FINISHES



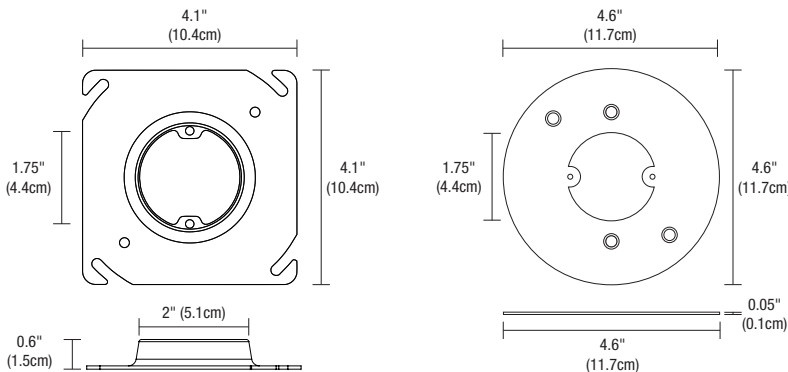
System	Canopy	Finish
FJC	2SQ	SN
FJC Fast Jack Power Feed	2SQ 2.8" Square 4SQ 4.6" Square	PN Polished Nickel* SN Satin Nickel

*Limited quantities, call for availability.



NEW CONSTRUCTION & REMODEL 2" COVER FOR 4" SQUARE JUNCTION BOX

The New Construction NC2-JBOX Cover is included with the 2" Round and Square Canopies and is not required for the 4" Round or Square Canopies. NC2 New Construction Junction Box Cover mounts to a standard 4" Electrical Box or Octagon Box, converting it to a 2" Plaster Ring for use with the Round (2R) or Square (2S) Canopy. The Remodel RM2-JBOX Plaster Plate cover is used with an existing 4" Square Junction Box and standard Round Plaster Ring. The PS-60L-ELV-24VDC (50 Watt IC, 60 Watt Non-IC) will fit inside the NC2 or RM2-JBOX Cover and Electrical Junction Box for a flush look.

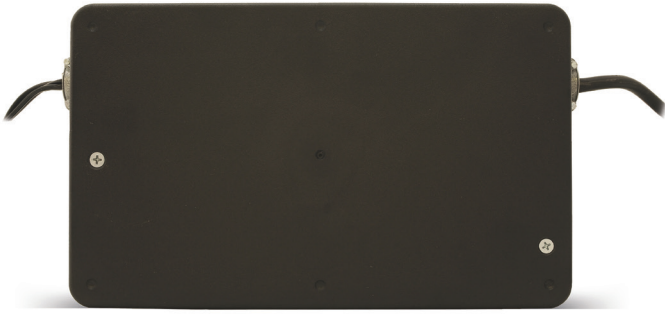


System	Product
NC2	JBOX
NC2 New Construction 2" RM2 Remodel Plaster Plate	JBOX Junction Box

PROJECT	FIXTURE TYPE	DATE

PSB-60W-ELV-12VDC

POWER SUPPLY



DESCRIPTION:

LED power supplies transform and regulate power from a line voltage power source into low voltage power for use with LED lighting. The PSB-60W-12VDC power supply accepts input voltage ranging from 100-240 volts AC and outputs 12 volt DC power up to 60 watts
 *Electrical Panels using Seimens/Murray AFCI breakers are not compatible with this ELV transformer. Use 0-10 Volt power supplies with this breaker.
 **ELV power supplies are not compatible with nLight, use only 0-10 volt or Uni driver power supplies

APPLICATIONS

Indoor or Outdoor

POWER INPUT:

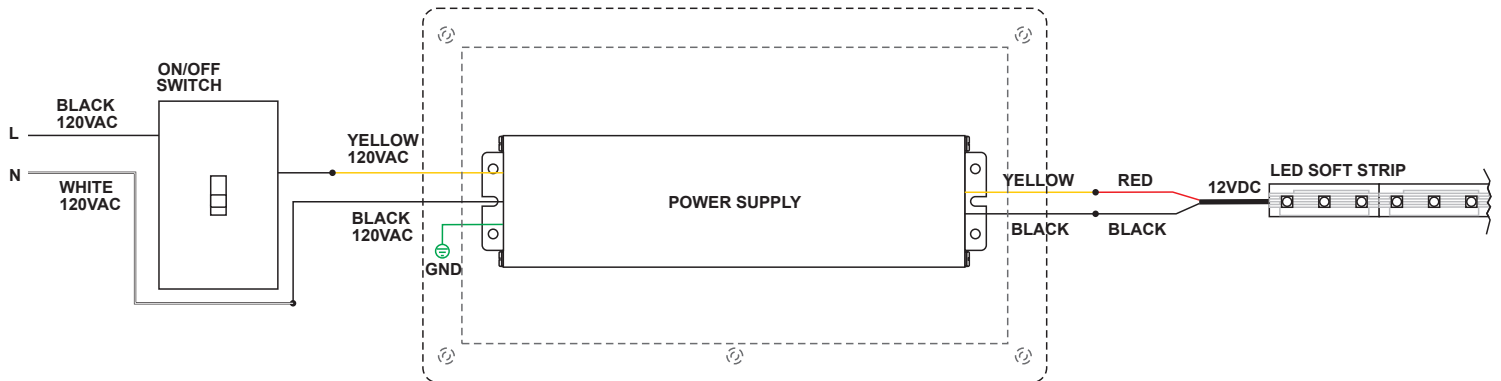
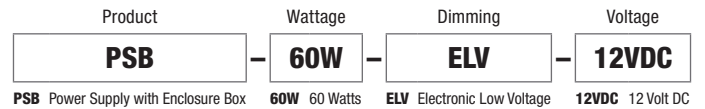
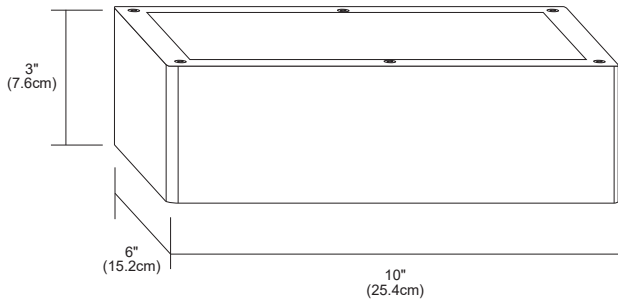
100-240VAC, 50/60Hz

POWER OUTPUT:

12 volts DC 5A, 60 watts maximum

DIMENSIONS:

10" x 6" x 3"

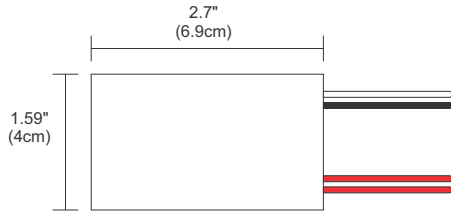
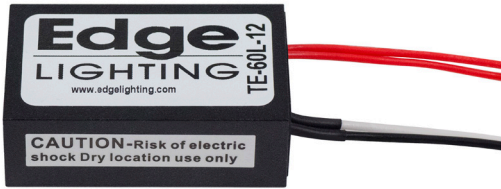


PROJECT	PROJECT	FIXTURE TYPE	FIXTURE TYPE	DATE	DATE



TE-60L-12

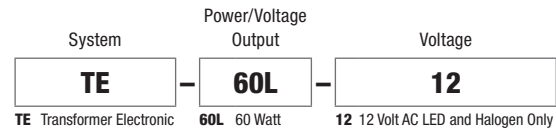
REMOTE 60W 12VAC POWER SUPPLY



REMOTE 60W 12VAC POWER SUPPLY

TE-60L-12 60 Watt 12VAC Electronic Transformer converts 120 volt line voltage to 12 volts and features built-in short-circuit protection. The solid, lightweight remote power supply fits inside a standard electrical junction box behind a power feed canopy. Must be in an accessible location or inside an electrical box. The single feed transformer power supply is both 12 volt AC LED and halogen compatible.

- No load technology, works with both Halogen & LED AC loads
- Isolated output power per NEC and UL safety requirements
- UL recognized/listed Class 2 power supply, meet UL 2108 requirements
- Auto-reset; Short circuit, Overload and Thermal protection
- Soft start
- Dimmable



PROJECT	FIXTURE TYPE	DATE	
---------	--------------	------	--